

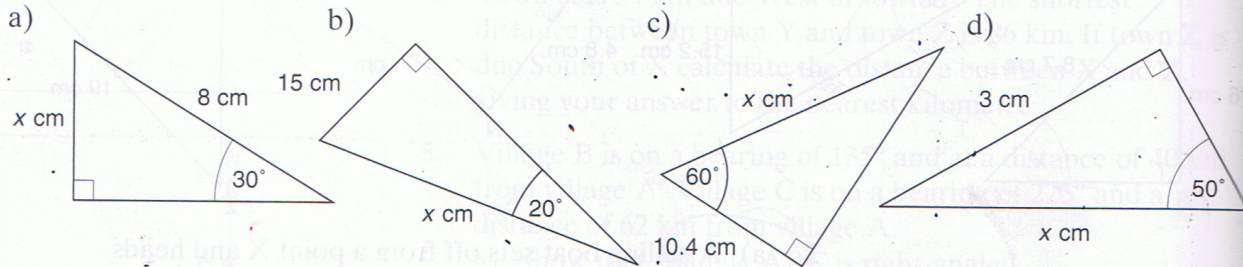
Trigonometry

Question Bank

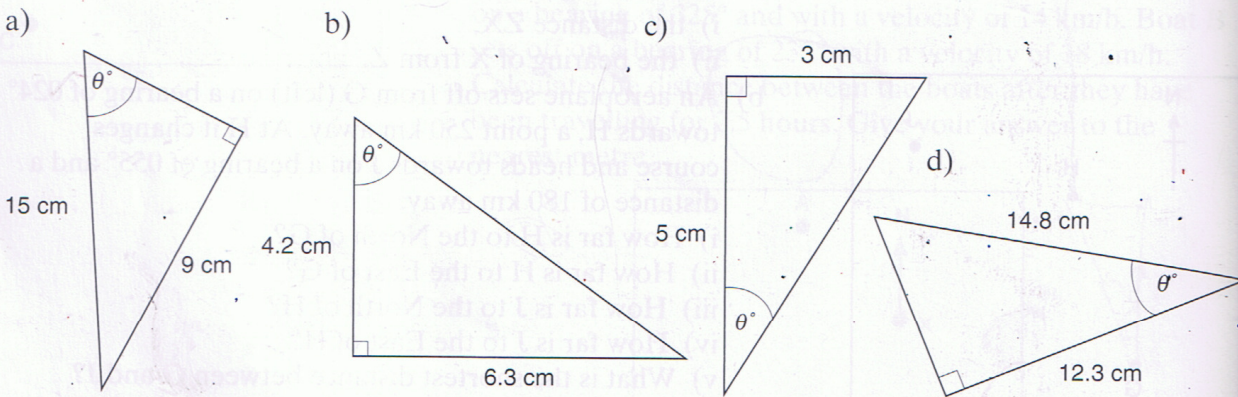
Exercise 1

NB: All diagrams are not drawn to scale.

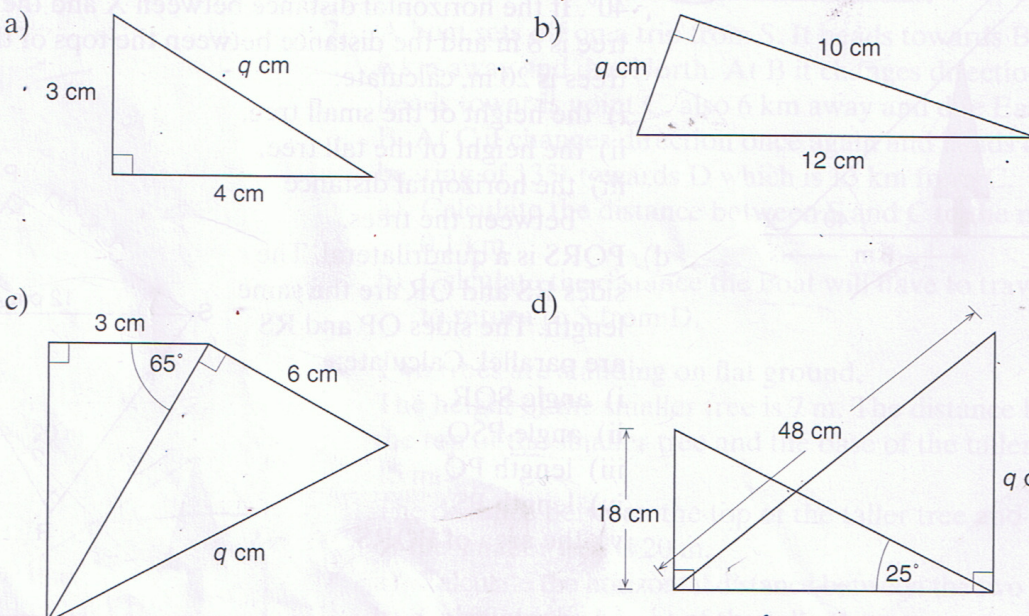
1. Calculate the length of the side marked x cm in each of the following. Give your answers correct to 1 d.p.



2. Calculate the angle marked θ° in each of the following. Give your answers correct to the nearest degree.



3. Calculate the length of the side marked q cm in each of the following. Give your answers correct to 1 d.p.

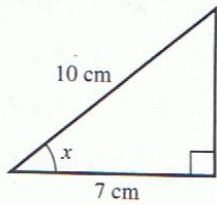


Trigonometry

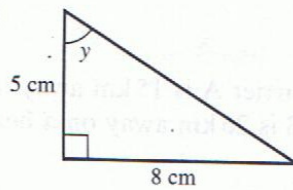
Exercise 2

1. Calculate the side or angle marked with a letter.

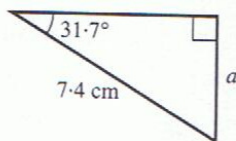
(a)



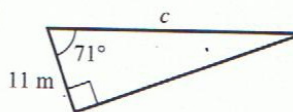
(b)



(c)



(d)



2. Given that x is an acute angle and that

$$3 \tan x - 2 = 4 \cos 35.3^\circ$$

calculate:

(a) $\tan x$

(b) the value of x in degrees correct to 1 D.P.

3. In the triangle XYZ , $XY = 14$ cm, $XZ = 17$ cm and angle $YXZ = 25^\circ$. A is the foot of the perpendicular from Y to XZ .

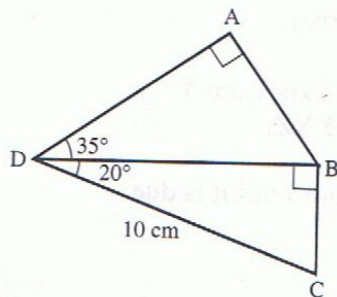
Calculate:

(a) the length XA

(b) the length YA

(c) the angle ZYA

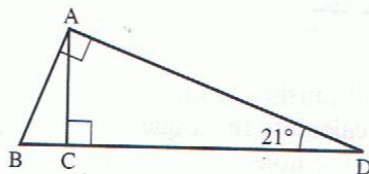
4. Calculate the length of AB .



5. (a) A lies on a bearing of 040° from B .
Calculate the bearing of B from A .

(b) The bearing of X from Y is 115° .
Calculate the bearing of Y from X .

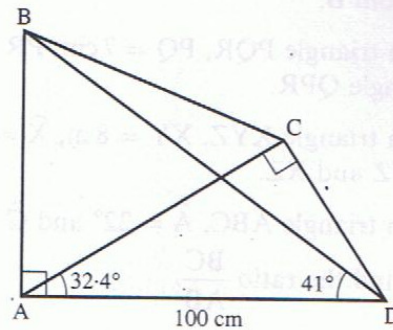
6. Given $BD = 1$ m, calculate the length AC .



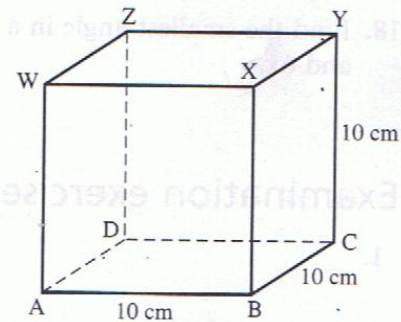
Trigonometry

7. In the triangle PQR, angle $\widehat{PQR} = 90^\circ$ and angle $\widehat{RPQ} = 31^\circ$. The length of PQ is 11 cm. Calculate:
- the length of QR
 - the length of PR
 - the length of the perpendicular from Q to PR.

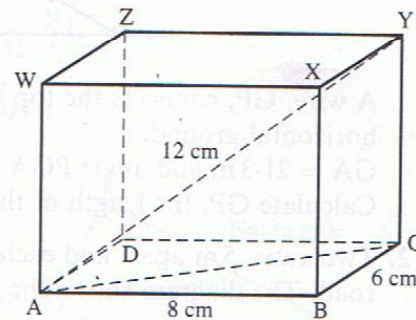
8. $\widehat{BAD} = \widehat{DCA} = 90^\circ$, $\widehat{CAD} = 32.4^\circ$, $\widehat{BDA} = 41^\circ$ and $AD = 100$ cm. Calculate:
- the length of AB
 - the length of DC
 - the length of BD.



9. An observer at the top of a tower of height 20 m sees a man due East of him at an angle of depression of 27° . He sees another man due South of him at an angle of depression of 30° . Find the distance between the men on the ground.
10. The figure shows a cube of side 10 cm. Calculate:
- the length of AC
 - the angle YAC
 - the angle ZBD.



11. The diagram shows a rectangular block. $AY = 12$ cm, $AB = 8$ cm, $BC = 6$ cm. Calculate:
- the length YC
 - the angle \widehat{YAZ}



12. VABCD is a pyramid in which the base ABCD is a square of side 8 cm; V is vertically above the centre of the square and $VA = VB = VC = VD = 10$ cm. Calculate:
- the length AC
 - the height of V above the base
 - the angle \widehat{VCA} .

Trigonometry

Questions 13 to 18 may be answered either by scale drawing or by using the sine and cosine rules.

13. Two lighthouses A and B are 25 km apart and A is due West of B. A submarine S is on a bearing of 137° from A and on a bearing of 170° from B. Find the distance of S from A and the distance of S from B.

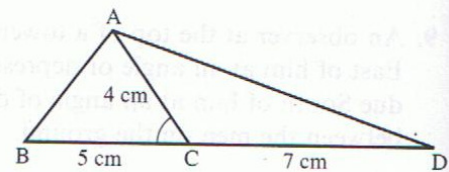
14. In triangle PQR, $PQ = 7$ cm, $PR = 8$ cm and $QR = 9$ cm. Find angle QPR.

15. In triangle XYZ, $XY = 8$ m, $\hat{X} = 57^\circ$ and $\hat{Z} = 50^\circ$. Find the lengths YZ and XZ.

16. In triangle ABC, $\hat{A} = 22^\circ$ and $\hat{C} = 44^\circ$.

Find the ratio $\frac{BC}{AB}$.

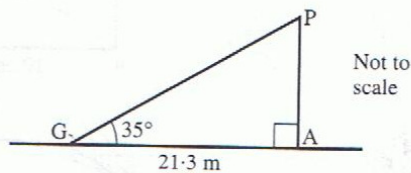
17. Given $\cos \hat{ACB} = 0.6$, $AC = 4$ cm, $BC = 5$ cm and $CD = 7$ cm, find the length of AB and AD.



18. Find the smallest angle in a triangle whose sides are of length $3x$, $4x$ and $6x$.

Exercise 3

1.



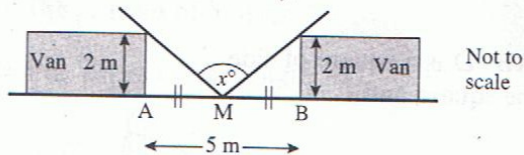
A wire, GP, connects the top of a vertical pole, AP, to the horizontal ground.

$GA = 21.3$ m and angle $PGA = 35^\circ$.

Calculate GP, the length of the wire.

J 97 2

2. Two vans, 5 m apart and each 2 m wide, are parked at the side of a road. The diagram shows the vans from above.



- (a) A man stands on the pavement at M, halfway between A and B. Calculate his angle of view (x°).

- (b) Calculate his angle of view if he stood at the point B.

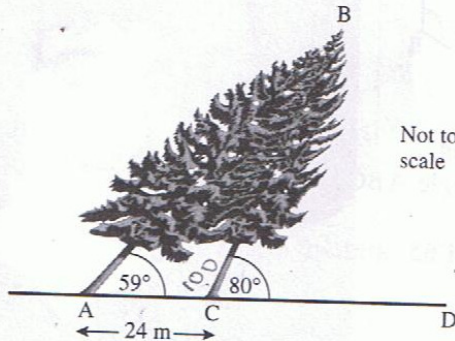
N 98 2

Trigonometry

3. $\cos A = \sqrt{\frac{1}{4 - 2\sqrt{2}}}$

Calculate the value of angle A.

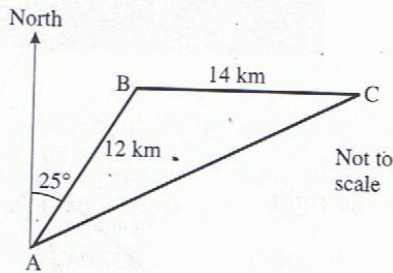
4.



During a storm, a tree, AB, is blown over and rests on another tree CB. $\angle BAC = 59^\circ$, $\angle BCD = 80^\circ$, $AC = 24$ m and ACD is horizontal. Calculate the length AB.

J 95 2

5.



Hussein travels 12 km from A to B on a bearing of 025°. He then travels due East for 14 km to C.

- Show that angle ABC is 115°.
- Calculate:
 - the distance AC,
 - the angle BAC,
 - the bearing of A from C.

J 97 4

6. The diagram represents three straight roads which surround a village.

The bearing of A from C is 021°. Angle ACB = 41°. The lengths of the roads CA and CB are 450 m and 600 m respectively.

- Calculate the bearing of
 - B from C,
 - C from A.
- Calculate how far A is north of C.
- Calculate the length of the road AB.
- The area ABC contains homes for 374 people. Calculate the average number of people per hectare in the area. (1 hectare = 10 000 m².)

